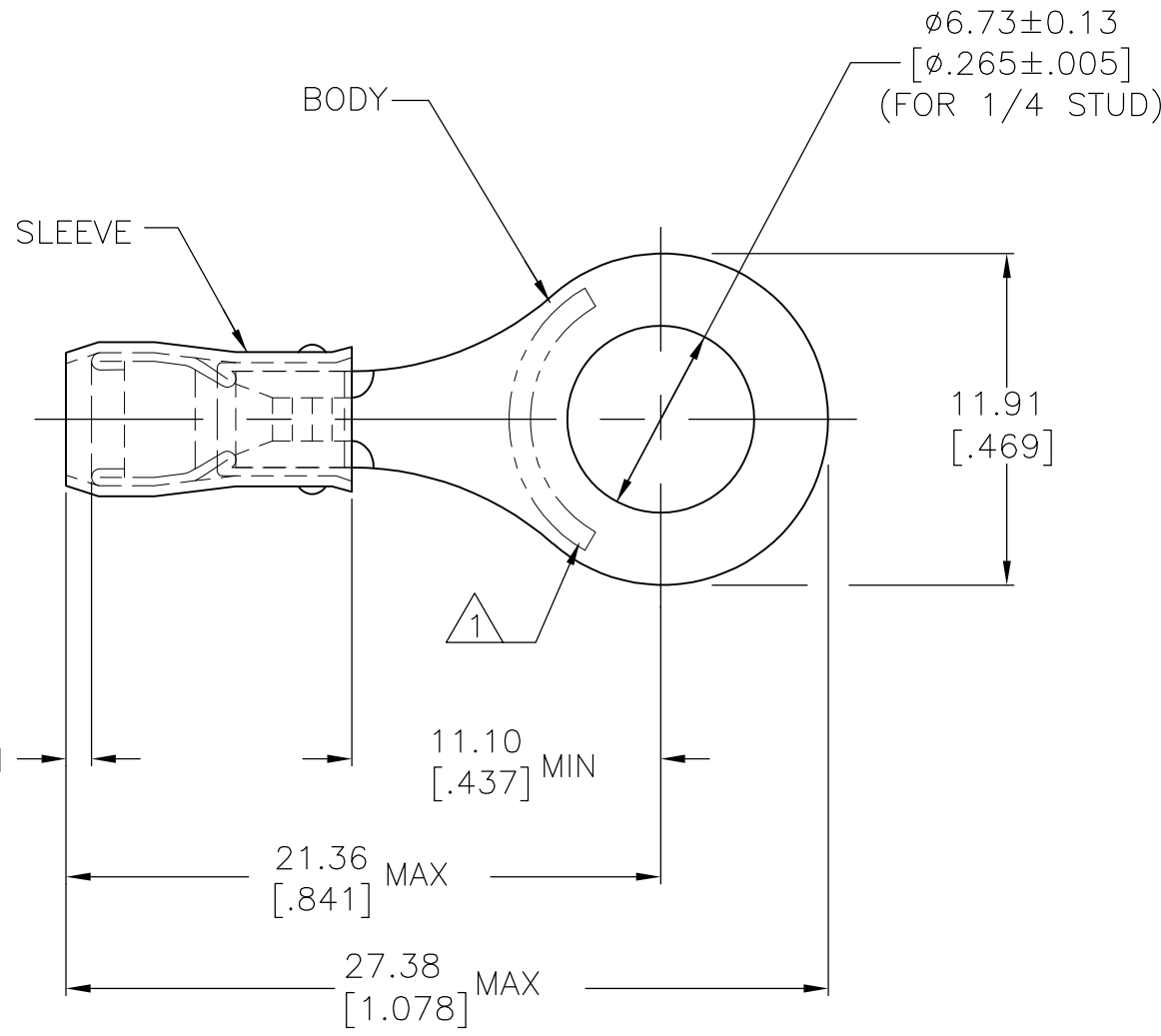


THIS DRAWING IS UNPUBLISHED. RELEASED FOR PUBLICATION - , -
 © COPYRIGHT - By - ALL RIGHTS RESERVED.

LOC	DIST	REVISIONS			
P	LTR	DESCRIPTION	DATE	DWN	APVD
G	14	AB	REVISED PER ECO-14-015277	14FEB2015	NK DR



AMP WIRE RANGE	E13288 Listed	LR7189 Certified
22-16 AWG SOLID OR STRANDED	22-16 AWG SOLID OR STRANDED	22-16 AWG SOLID OR STRANDED

- 1 STAMP AMP 22-18* APPROX AS SHOWN
22-16 TERMINALS ARE STAMPED 22-18 IN
ACCORDANCE WITH MILITARY SPEC SAE AS7928
COMMERCIAL WIRE RANGE IS 22-16.
- 2 WIRE INSULATION DIA: 2.03-3.18[.080-.125].
- 3 TONGUE MATERIAL THK: 0.79±0.05[.031±.002].

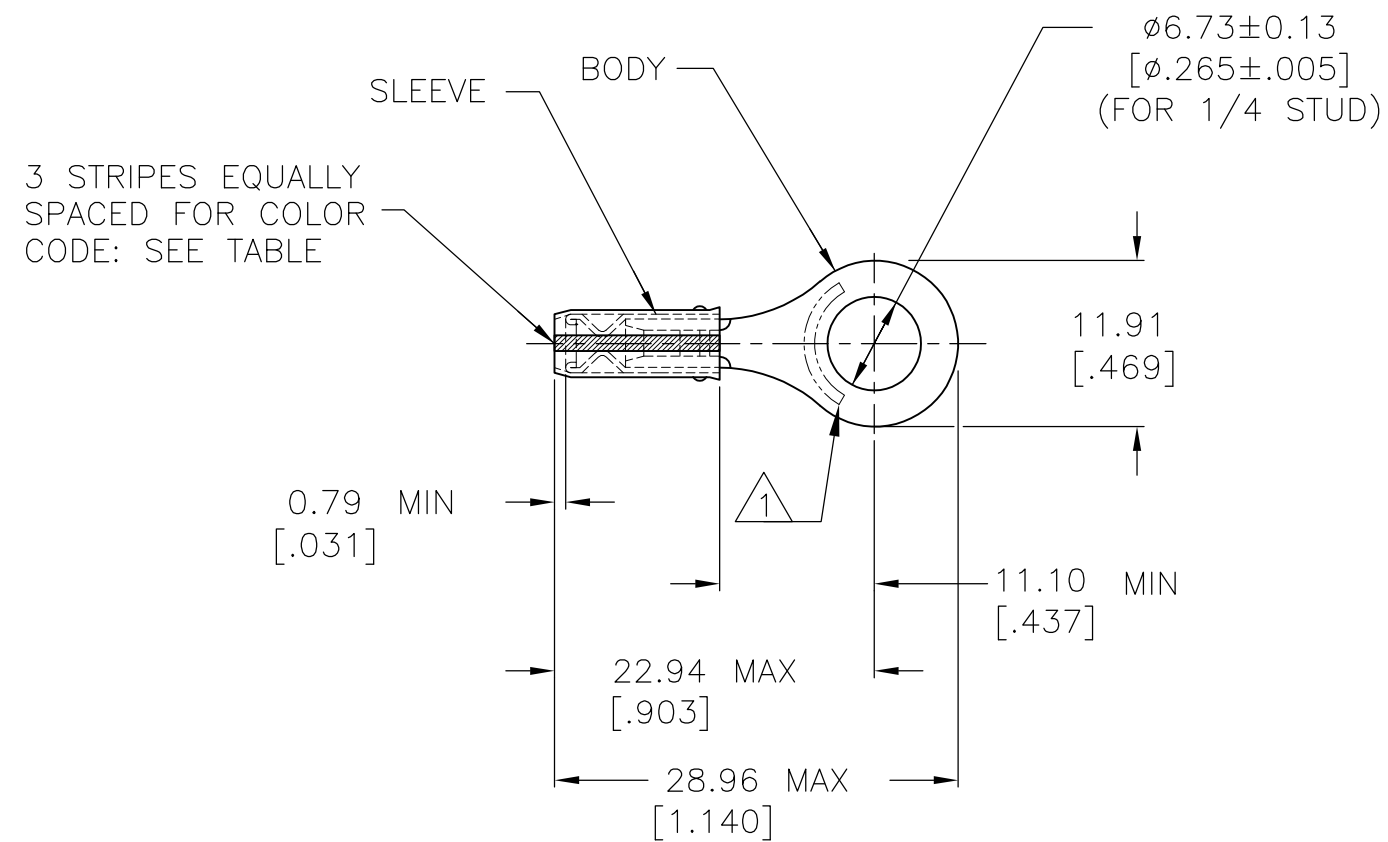
MILITARY P/N AND CLASS	QUANTITY	PACKAGE TYPE	PART NO
-	100	LOOSE PIECE, BOX	8-320571-1
MS25036-150 CLASS 2	5000	ON TAPE, REEL	2-320571-2
MS25036-150 CLASS 1 & 2	1000	LOOSE PIECE	320571

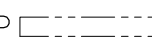
AMP INCORPORATED CUSTOMER SERVICE SYSTEMS		MAX RECOMMENDED OPERATING TEMPERATURE: 105°C[221°F] MAX	THIS DRAWING IS A CONTROLLED DOCUMENT.		DWN DK SCHRUM 9/8/93	TE Connectivity			
FOR ADDITIONAL PRODUCT INFORMATION OR COPIES OF DRAWINGS AND TECHNICAL DOCUMENTS	PRODUCT INFORMATION CENTER 1-800-522-6752	VOLTAGE RATING: 300 V MAX	DIMENSIONS: mm [INCHES]	TOLERANCES UNLESS OTHERWISE SPECIFIED:	CHK RE HERSEY 9/8/93				NAME TERMINAL, RING TONGUE, PIDG™, WIRE SIZE: 22-16 AWG
FOR APPLICATION TOOLING INFORMATION	TOOLING ASSISTANCE CENTER 1-800-722-1111	CIRCULAR MIL AREA: 0.26-1.65mm²[509-3,260] CIR MILS SOLID OR STRANDED		0 PLC ± - 1 PLC ± - 2 PLC ± 0.20[.008] 3 PLC ± - 4 PLC ± - ANGLES ± -	APVD ML ELLIS 9/8/93	PRODUCT SPEC UL 486A			
FOR ORDER ENTRY	1-800-526-5142		MATERIAL COPPER PER ASTM B-152 SLEEVE, RED NYLON	FINISH TIN PLATE PER ASTM B545	APPLICATION SPEC NOT AVAILABLE	SIZE A3	CAGE CODE 00779	DRAWING NO C-320571	RESTRICTED TO -
					WEIGHT -	CUSTOMER DRAWING			SCALE NTS
					SHEET 1 of 2		REV AB		

LOC	DIST	REVISIONS					
G	14	P	LTR	DESCRIPTION	DATE	DWN	APVD
		-		SEE SHEET 1	-	-	-

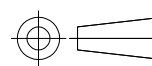
AMP
WIRE RANGE

SEE TABLE
STRANDED



- 1 STAMP AMP  APPROX AS SHOWN SEE TABLE BELOW.
- 2 WIRE INSULATION DIA: 0.97-2.79 [.038-.110] FOR 22 AWG
1.17-2.79 [.046-.110] FOR 20 AWG
1.42-2.79 [.056-.110] FOR 18 AWG.
- 3 TONGUE MATERIAL THK: 0.79±0.05 [.031±.002].
- 4 NOTE DELETED.

M7928/1-34 CLASS 1 & 2	WHITE	18*	18	1000	LOOSE PIECE	2-320571-5
M7928/1-25 CLASS 1 & 2	RED	20*	20	1000	LOOSE PIECE	2-320571-4
M7928/1-16 CLASS 1 & 2	GREEN	22*	22	1000	LOOSE PIECE	2-320571-3
MILITARY P/N AND CLASS	STRIPE COLOR	STAMPING	WIRE SIZE	QUANTITY	PACKAGE TYPE	PART NO

AMP INCORPORATED CUSTOMER SERVICE SYSTEMS		MAX RECOMMENDED OPERATING TEMPERATURE: 105°C[221°F] MAX	THIS DRAWING IS A CONTROLLED DOCUMENT.		DWN DK SCHRUM 9/8/93	STE TE Connectivity	
FOR ADDITIONAL PRODUCT INFORMATION OR COPIES OF DRAWINGS AND TECHNICAL DOCUMENTS	PRODUCT INFORMATION CENTER 1-800-522-6752	VOLTAGE RATING: 300 V MAX	DIMENSIONS: mm [INCHES]	TOLERANCES UNLESS OTHERWISE SPECIFIED:	CHK RE HERSEY 9/8/93	NAME	
FOR APPLICATION TOOLING INFORMATION	TOOLING ASSISTANCE CENTER 1-800-722-1111	WIRE RANGE: 22, 20, 18 CIRC MIL AREA: 0.38mm² [754], 0.60mm² [1,186], 0.96mm² [1,900] STRANDED		0 PLC ± - 1 PLC ± - 2 PLC ± 0.20 [.008] 3 PLC ± - 4 PLC ANGLES ± -	APVD ML ELLIS 9/8/93	TERMINAL, RING TONGUE, I.R., PIDG™, WIRE SIZE: 22-16 AWG	
FOR ORDER ENTRY	1-800-526-5142		MATERIAL: COPPER PER ASTM B-152 SLEEVE, RED NYLON	FINISH: TIN PLATE PER ASTM B545	PRODUCT SPEC: -	APPLICATION SPEC: NOT AVAILABLE	RESTRICTED TO: -
			WEIGHT: -		SIZE: A3	CAGE CODE: 00779	DRAWING NO: C-320571
CUSTOMER DRAWING					SCALE: NTS	SHEET: 2 OF 2	REV: AB